



Weiler Labeling Systems

Customer listening... Customized thinking

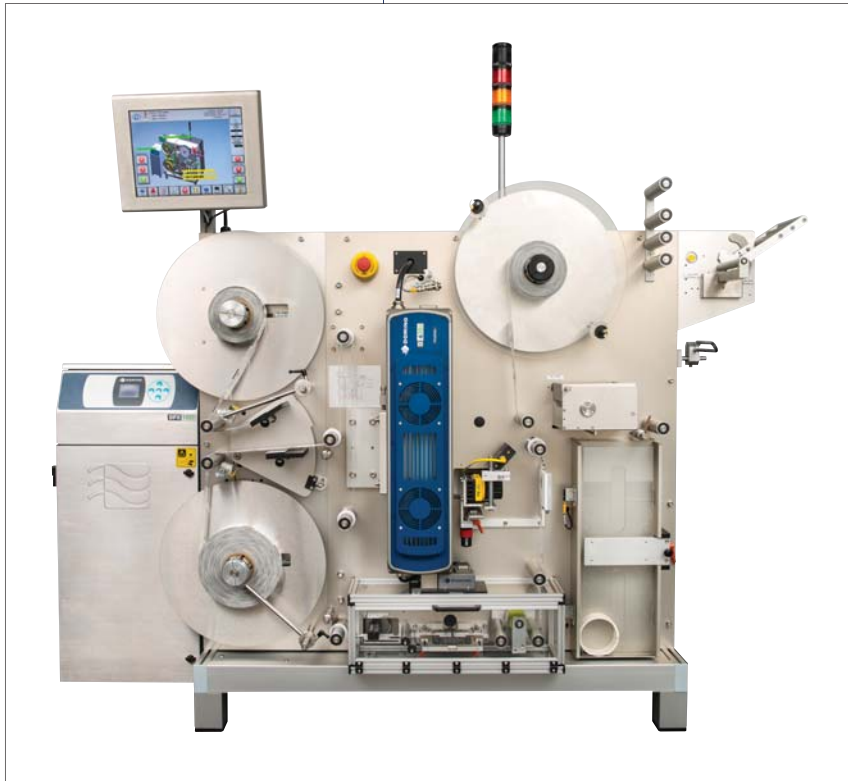


Photo shown with dual unwind, laser printer, and web rewind options

The H.R. 3204 Drug Quality and Security Act as well as legislation in other countries are necessitating the implementation of serialized label coding and code verification on existing labelers.

Building on the company's expertise in labeling and high-speed continuous-motion printing and inspection, WLS has introduced its latest **SPS-200** serialization print stand designed for high-speed, efficient and accurate coding of labels. With its own PLC and separately validated controls the **SPS-200** can be integrated within any existing pressure-sensitive labeler with minimal down time and changes to the labeler validation. It is capable of handling labels at speeds up to 750ppm.

The **SPS-200** can be configured with a variety of options such as ink jet or laser used to print or scribe alphanumeric human-readable and/or 2D Data Matrix serialized codes on the label, digital vision systems used to re-acquire and verify each code for readability and accuracy, dual label unwinds with splice table, and label rewinding after coding.

Backed by WLS' reputation of quality, impeccable service and customer care, and industry leading extended warranty coverage, the **SPS-200** is built to meet the most challenging label coding demands.

1256 North Church Street
Moorestown, NJ 08057 USA
+1 856 273 3377
+1 856 231 9883 fax
sales@weilerls.com
www.weilerls.com

SPS-200

Serialization Print Stand

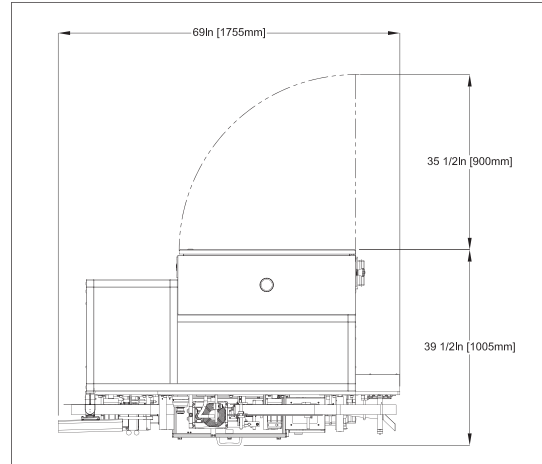
Stand-Alone High-Speed Coding



SPS-200 Serialization Print Stand

SALES AND SERVICE

WLS Sales and Service assures responsive and comprehensive technical assistance in solving your labeling application problems, servicing your WLS equipment, and providing a full line of compatible systems supplies.



SPECIFICATIONS

- Roll Size:
 - Diameter – 18" (457mm) unwind
 - Core – 3" (76mm)
- Label Size:
 - Width – 0.75" (19mm) to 4" (101mm)
 - Length – Unlimited
- Coding Speed:
 - Label Speed – Up to 750 labels per minute *

* Dependent on label length, printing and vision requirements



Shown with laser printer and code presence verification camera options

FEATURES

- Compact footprint
- Balcony-style structure
- Integrated electrical enclosure
- cGMP compliant construction
- AC unwind with particle clutch tensioning system
- Pneumatic unwind core chuck
- Servomotor-driven nip roller with buffer box
- Low level, end of web and broken web detection
- Fixed position, user-friendly and password protected HMI
- No proprietary electronics (Siemens PLC)

OPTIONS

- Integration of all major code printing (thermal ink jet, thermal ribbon and laser) and vision inspection brands
- Code inspection, verification and/or grading
- Dual unwind with splicing table (including extended buffer box and splice assist programming)
- Waste/reel-to-reel rewind with pneumatic core chuck and dancer arm
- Data collection
- Remote Ethernet access (for long distance diagnostics)
- 21CFR Part 11 compliance
- FAT/DDS/IQOQ documentation
- UL, seismic and CE certification