



Weiler Labeling Systems



1256 North Church Street
Moorestown, NJ 08057 USA
+1 856 273 3377
+1 856 231 9883 fax
sales@weilerls.com
www.weilerls.com

VCV Vial Coding & Verification Platform

Compact, High-Speed, Precise Vial Coding

The increased need for product identification and traceability, especially prior to labeling, has forced the pharmaceutical industry to implement coding and code verification on existing or new packaging lines.

Building on the company's expertise in continuous-motion parts handling, printing and inspection, WLS has introduced its newest coding platform. The **VCV** Vial Coding & Verification Platform is specifically designed for high-speed and accurate coding of unlabeled vials. With its own PLC and separately validated controls the **VCV** can be integrated within an existing packaging line, or run as a stand-alone machine. It is capable of handling vials at speeds up to 300ppm.

Ink jets (with visible or UV inks) or laser printers can be used to print or scribe alphanumeric human-readable and/or 2D Data Matrix codes, on the cap, aluminum overseal or wall of vials. These codes can range from a single Lot/Exp code to a serialized code downloaded from the customer data system. Digital vision systems are used to re-acquire and verify each code for readability and accuracy. Improperly coded vials are automatically tracked and rejected.

Backed by WLS' reputation of quality, impeccable service and customer care, and industry leading extended warranty coverage, the **VCV** is built to meet the most challenging coding and inspection production demands.

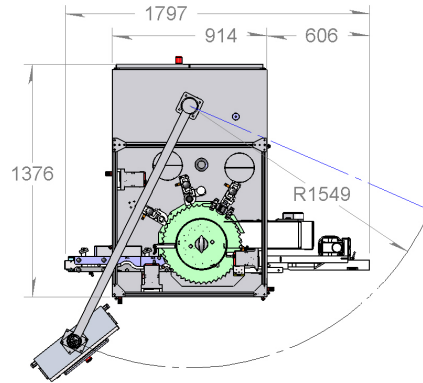


VCV Vial Coding & Verification Platform

SALES AND SERVICE

WLS Sales and Service assures responsive and comprehensive technical assistance in solving your labeling application problems, servicing your WLS equipment, and providing a full line of compatible systems supplies.

Rev.1 0814

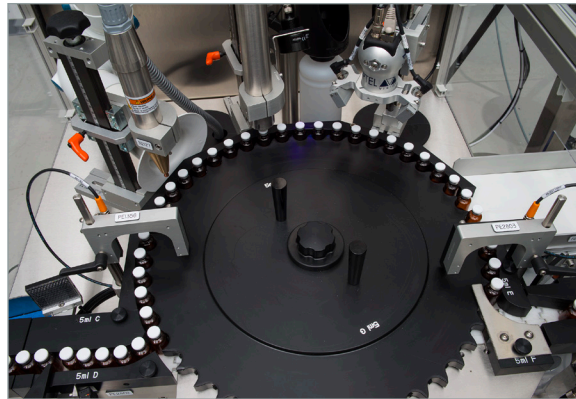


SPECIFICATIONS

- Container Type: Vials
- Product diameter: 3/8" (9.5mm) to 2.25" (57mm)*
- Coding Speed: Up to 300cmp**
- Typical Footprint: 36" (915mm) wide by 54" (1375mm) deep

*Larger sizes upon request

**Dependent on product size and printing requirements



Shown with plasma treatment, ink jet coding and vision inspection options



UV 2D Code



Human Readable Code

FEATURES

- Compact footprint
- Left or right hand discharge
- cGMP compliant construction
- Stainless steel clad base
- Zero-access Cat 3 or better guarding
- Servomotor-driven vacuum starwheel (for optimum vial control and reject management)
- Tool-less quick changeover
- Fixed position, user friendly and password protected HMI
- Positive track and reject
- No proprietary electronics

OPTIONS

- Color-marked container tooling
- Vials conveyance
- In-feed and out-feed rotary accumulators
- Vials tray loading and/or unloading
- Additional vial locating features
- Integration of all major code printing (continuous ink jet and laser) and vision inspection brands
- Serialization capable
- OEE (Overall Equipment Effectiveness) and other HMI screens
- Data collection
- Remote Ethernet access (for long distance diagnostics)
- 21CFR Part 11 compliance
- FAT/DDS/IQOQ documentation
- UL, seismic and CE certification